

Diagnostic Cystoscope

OES Pro

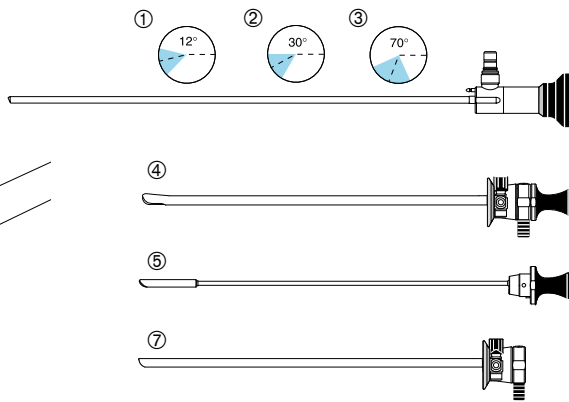


The OES Pro diagnostic system gives you a full product range with these advantages:

- Ergonomic design
- Matt surface for less friction
- Special female sheaths
- Easy to handle stopcocks for better flow control
- Stainless steel maintenance-free stopcocks



OES PRO

Cysto-Urethroscope


- | | | |
|---|-----------------|---|
| ① | WA2T412A | Telescope "OES ELITE",
4 mm, HD, autoclavable, 12°
<i>Delivery includes: protective tube WA2P400A.</i> |
| ② | WA2T430A | Telescope "OES ELITE",
4 mm, HD, autoclavable, 30°
<i>Delivery includes: protective tube WA2P400A.</i> |
| ③ | WA2T470A | Telescope "OES ELITE",
4 mm, HD, autoclavable, 70°
<i>Delivery includes: protective tube WA2P400A.</i> |
| ④ | A20911A | Cystoscopy sheath,
17 Fr.
<ul style="list-style-type: none"> ▪ With beak ▪ With obturator A20903A |
| ⑤ | A20903A | Obturator,
17 Fr.,
for A20911A |
| ⑥ | A20978A | Bridge,
for 4 mm telescope, cystoscope |
| ⑦ | A20930A | Cystoscopy sheath,
15.5 Fr., straight
<ul style="list-style-type: none"> ▪ Extreme short window for application
in female urethras ▪ With obturator |
| | A20931A | Cystoscopy sheath,
17 Fr., straight
<ul style="list-style-type: none"> ▪ Extreme short window for application
in female urethras ▪ With obturator |

Diagnostic Cystoscope

Recommended Set

**Recommended Set****Alternatives****Options****Telescopes**

WA2T412A	1x Telescope "OES ELITE", 4 mm, HD, autoclavable, 12°
WA2T470A	1x Telescope "OES ELITE", 4 mm, HD, autoclavable, 70°

WA2T430A	1x Telescope "OES ELITE", 4 mm, HD, autoclavable, 30°
-----------------	---

WA2T400A	1x 4 mm, HD, autoclavable, 0°
-----------------	-------------------------------

Light-Guide Cable

WA03300A	1x Light-guide cable, 2.8 mm, 3 m, CF type
-----------------	--

Cystoscope Sheaths

A20911A	1x Cystoscope sheath, 17 Fr.
----------------	------------------------------

A20931A	1x Cystoscope sheath, straight, 17 Fr.
----------------	--

A20930A	1x Cystoscope sheath, straight, 15 Fr.
----------------	--

Inspection Bridge

A20978A	1x Bridge
----------------	-----------

A20976A	1x Bridge, one-way
----------------	--------------------

A20977A	1x Bridge, two-way
----------------	--------------------

Accessories

A0556	1x Syringe, 150 ml
--------------	--------------------

00103	1x Adapter
--------------	------------

00131	1x Sealing cap
--------------	----------------



Therapeutic Cysto-Urethroscope

OES Pro



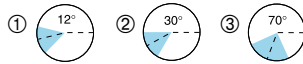
The OES Pro therapeutic cysto-urethroscope will improve your daily work with:

- Improved self-locking Albarran
- Matt surface for less friction
- Stainless steel maintenance-free stopcocks
- Easier insertion due to new beak design
- Small diameter sheath A20916A with integrated ramp for therapy



OES PRO

Telescopes

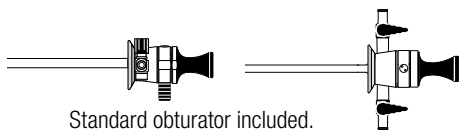


- | | | |
|---|-----------------|--|
| ① | WA2T412A | Telescope "OES ELITE", 4 mm, 12°, HD, autoclavable |
| ② | WA2T430A | Telescope "OES ELITE", 4 mm, 30°, HD, autoclavable |
| ③ | WA2T470A | Telescope "OES ELITE", 4 mm, 70°, HD, autoclavable |

Delivery includes:

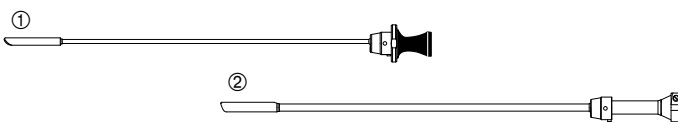
protective tube WA2P400A.

Sheaths



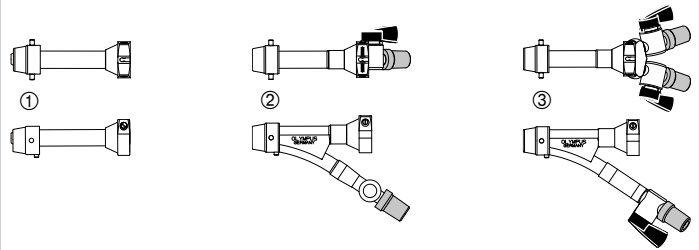
- | | | |
|---|----------------|---|
| ① | A20912A | Cystoscope sheath, 19.8 Fr. |
| | A20913A | Cystoscope sheath, 21 Fr. |
| | A20914A | Cystoscope sheath, 22.5 Fr. |
| | A20934A | Cystoscope sheath, 22.5 Fr. (slip-off protection) |
| | A20915A | Cystoscope sheath, 25 Fr.
<i>All cystoscopes with beak</i> |
| ② | A20933A | Cystoscope sheath, 21 Fr., straight, short window <ul style="list-style-type: none"> Application in female urethras For bridges A20976A–78A |
| ③ | A20916A | Cystoscope sheath, 19.8 Fr., with ramp, straight, 7 Fr. channel <ul style="list-style-type: none"> For bridge A20976A |

Obturers



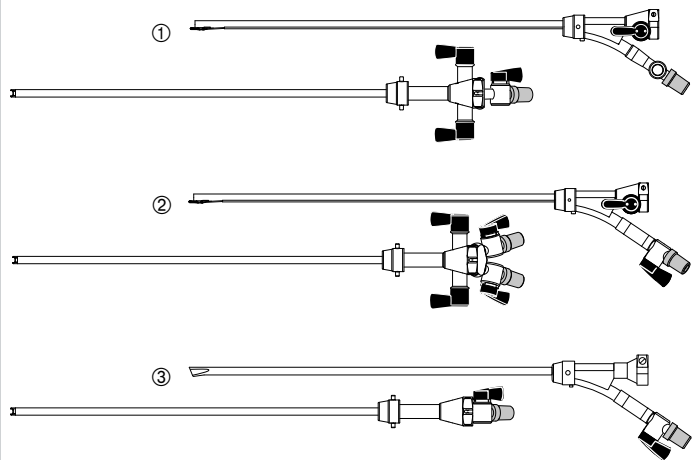
- | | | |
|---|----------------|---------------------------------------|
| ① | A20904A | Obturator, 19.8 Fr., for A20912A |
| | A20910A | Obturator, 19.8 Fr., for A20916A |
| | A20905A | Obturator, 21 Fr., for A20913A |
| | A20902A | Obturator, 21 Fr., for A20933A |
| | A20906A | Obturator, 22.5 Fr., for A20914A/-34A |
| | A20907A | Obturator, 25 Fr., for A20915A |
| ② | A20922A | Obturator, optical, 19.8 Fr. |
| | A20923A | Obturator, optical, 21 Fr. |
| | A20924A | Obturator, optical, 22.5 Fr. |
| | A20925A | Obturator, optical, 25 Fr. |

Bridges



- | | | |
|---|----------------|--|
| ① | A20978A | Bridge, for 4 mm telescope, cystoscope |
| ② | A20976A | Bridge, one-way |
| ③ | A20977A | Bridge, two-way |

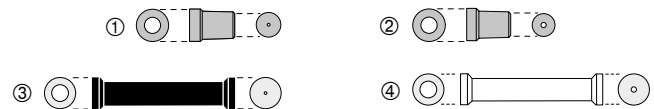
Working Inserts



- | | | |
|---|----------------|------------------------------------|
| ① | A20971A | Working insert, Albarran, one-way |
| ② | A20972A | Working insert, Albarran, two-way |
| ③ | A20975A | Working insert, with ramp, one-way |

For compatibility with cystoscope sheaths, see page 37.

Reusable/ Non-Sterile Sealing Caps



- | | | |
|---|--------------|---|
| ① | 00131 | Sealing caps, 0.7 mm, 10 pcs. |
| ② | A0223 | Sealing caps, 1.6 mm, 10 pcs. |
| ③ | A0286 | Sealing caps, 0.4 mm, kink protected, black |
| ④ | A0287 | Sealing caps, 1.0 mm, kink protected, transparent |

For Endo-Therapy instruments, see page 21, 22, 23, 24 and 35.

Therapeutic Cysto-Urethroscope

Recommended Set

**Recommended Set****Alternatives****Options****Telescopes**

WA2T412A	1x Telescope "OES ELITE", 4 mm, HD, autoclavable, 12°
WA2T470A	1x Telescope "OES ELITE", 4 mm, HD, autoclavable, 70°

WA2T430A	1x Telescope "OES ELITE", 4 mm, HD, autoclavable, 30°
-----------------	---

WA2T400A	1x Telescope "OES ELITE", 4 mm, HD, autoclavable, 0°
-----------------	--

Light-Guide Cable

WA03300A	1x Light-guide cable, 2.8 mm, 3 m, CF type
-----------------	--

Cystoscope Sheaths

A20913A	1x Cystoscope sheath, 21 Fr.
A20934A	1x Cystoscope sheath, 22.5 Fr. (slip-off protection)

A20914A	1x Cystoscope sheath, 22.5 Fr.
----------------	--------------------------------

A20912A	1x Cystoscope sheath, 19.8 Fr.
A20915A	1x Cystoscope sheath, 25 Fr.
A20933A	1x Cystoscope sheath, 21 Fr., slip-off, protection, straight, short window
A20916A	1x Cystoscope sheath, 19.8 Fr., with ramp, straight, 7 Fr. channel

Inspection Bridge

A20976A	1x Bridge, one-way
A20972A	1x Working insert, Albarran, two-way
A20923A	1x Obturator, optical, 21 Fr.

A20977A	1x Bridge, two-way
A20971A	1x Working insert, Albarran, one-way
A20924A	1x Obturator, optical, 22.5 Fr.

A20978A	1x Bridge
A20975A	1x Working insert, with ramp, one-way
A20922A	1x Obturator, optical, 19.8 Fr.
A20925A	1x Obturator, optical, 25 Fr.

Accessories

00131	1x	Sealing caps, 10 pcs.	A0287	1x	Sealing cap	00125	1x	Grasping forceps, 9 Fr. x 330 mm
00121	1x	Grasping forceps, 7 Fr. x 330 mm	00122	1x	Grasping forceps, 9 Fr. x 330 mm	00129	1x	Scissors, 9 Fr. x 330 mm
00123	1x	Biopsy forceps, 7 Fr. x 330 mm	00124	1x	Biopsy forceps, 9 Fr. x 330 mm	00126	1x	Cannula
00108	1x	HF electrode, button, 5 Fr.	00107	1x	HF electrode, button, 4 Fr.	00109	1x	HF electrode, button, 6 Fr.
00110	1x	HF electrode, button, 7 Fr.	A0275	1x	HF electrode, button, 9 Fr.	00111	1x	HF electrode, button, 8 Fr.
A0335.1	1x	HF cable, monopolar, UES-30/-40, Erbe Int., Valleylab	00120.1	1x	HF cable, monopolar, UES-10/-20, Valleylab (old)	00112	1x	HF electrode, button, 10 Fr.
A0556	1x	Syringe, 150 ml	A0130.1	1x	HF cable, monopolar, Erbe T series, Martin, Berchtold	00114	1x	HF electrode, needle, 5 Fr.
00102.1	1x	Stopcock				00115	1x	HF electrode, needle, 7 Fr.
00103	1x	Adapter						

Optical Forceps

A20712A	1x	Biopsy forceps, spoon type	A20716A	1x	Biopsy forceps, monopolar	A20713A	1x	Biopsy forceps, spoon type
A20714A	1x	Grasping forceps, double action	A20715A	1x	Biopsy forceps, severing	A20719A	1x	Biopsy forceps, spoon type
			A20710A	1x	Grasping forceps, for lithotripsy	A20717A	1x	Scissors
			A20718A	1x	Grasping forceps, toothed			